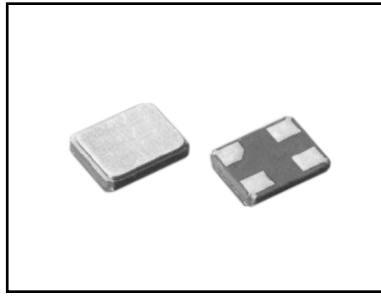


# FMXMC16S SERIES

Microprocessor Crystals

CERAMIC SMD 2x1.6



- Surface Mount Ceramic Pkg.
- Micro 2 x 1.6 / Ultra Thin
- High Reliability
- Tight Stability



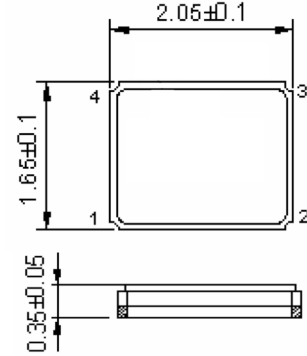
## SPECIFICATIONS

Issue 3 - 08142012

Parameter	Specification
Frequency Range	26 - 50 MHz
Operation Mode	See Operation Mode and ESR Table
Load Capacitance (CL)	18 pF Std, 8 - 60 pF and Series available
Frequency Tolerance	±30 ppm @ 25°C Std (See Cal. Tol. for Options)
Temperature Tolerance	±50 ppm Std (See Temp. Tol. for Options)
Operating Temperature	-10 to +60°C Std (See Temp. Range for Options)
Storage Temperature	-40 to +85°C
Equivalent Series Resistance (ESR)	See Operation Mode and ESR Table
Shunt Capacitance (C0)	5 pF max
Drive Level	10 µW typical, 100 µW max
Aging @ +25°C	±5 ppm per year max
Insulation Resistance	500MΩ min at 100V <sub>DC</sub> ±15V
Reflow Conditions	+260°C ±10°C for 10 sec max, 2 reflows max

All specifications subject to change without notice.

2 x 1.6 CERAMIC SMD

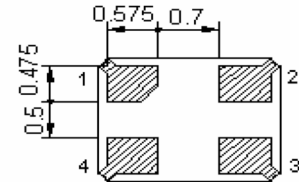


### PIN FUNCTION TABLE

Pin	Function
1	Crystal
2	Ground
3	Crystal
4	Ground

### OPERATION MODE AND ESR TABLE

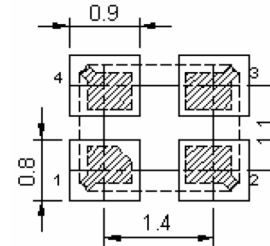
Frequency (MHz)	Mode	Max. ESR (Ohms)
26 - 29.99	Fundamental	100
30 - 50.00	Fundamental	80



### STANDARD MARKING

FMI XX.XXX

XX.XXX FREQUENCY in MHz



Recommended Land Pattern

**NOTE: Standard Specifications for product indicated in color**

Dimensions: millimeters

## PART DESCRIPTION SYSTEM

**FMXM C16S 1 18 H J A - XX.XXXXXXM - CM**

