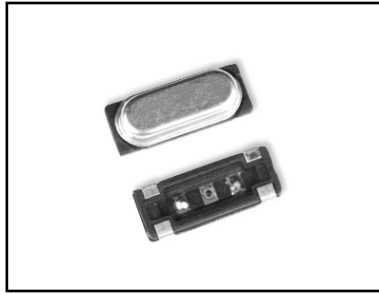


FMXMPS SERIES

Microprocessor Crystals

J-LEAD Plastic SMD
Compatible HC-49/US



- Low Profile
- Low Cost / Fast Delivery
- Compatible Footprint to Plastic J-Lead Packages



SPECIFICATIONS

08 - Issue 3 - 041508

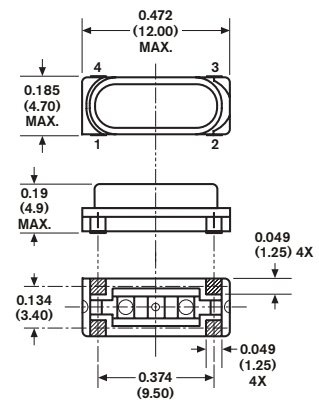
Parameter	Specification
Frequency Range	3.2 - 90 MHz
Operation Mode	See Operation Mode and ESR Table
Load Capacitance (CL)	18 pF Std., 8 - 60 pF and Series available
Frequency Tolerance	±30 ppm @ 25°C Std. (See Cal. Tol. for Options)
Temperature Tolerance	±50 ppm Std. (See Temp. Tol. for Options)
Operating Temperature	0 to +70°C Std. (See Temp. Range for Options)
Storage Temperature	-55 to +125°C
Equivalent Series Resistance (ESR)	See Operation Mode and ESR Table
Shunt Capacitance (C0)	7 pF max.
Drive Level	50 uW typical, 1 mW max.
Aging @ 25°C	±5 ppm per year max.

All specifications subject to change without notice.

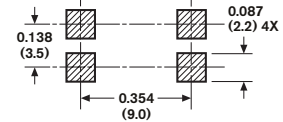
OPERATION MODE AND ESR TABLE

Frequency (MHz)	Mode	Max. ESR (Ohms)
3.2 - 3.4	Fundamental	200
3.5 - 4.0	Fundamental	150
4.1 - 4.7	Fundamental	120
4.8 - 5.7	Fundamental	100
5.8 - 11.9	Fundamental	90
12.0 - 14.2	Fundamental	70
14.3 - 27.0	Fundamental	50
27.1 - 74.9	3rd Overtone	80
75.0 - 90.0	3rd Overtone	100

HC-49/US
With K-406 Base Adapter
For J-Lead Plastic SMD
Compatibility



Recommended Land Pattern



PIN FUNCTION TABLE

Pin	Function
1	Crystal
2	Ground
3	Ground
4	Crystal

STANDARD MARKING

FMI XX.XXX

XX.XXX FREQUENCY in MHz

NOTE: Standard Specifications for product indicated in color

Dimensions: Inches
(mm)

PART DESCRIPTION SYSTEM

FMXM PS 1 18 H J A - XXX.XXXXXXM - CM

