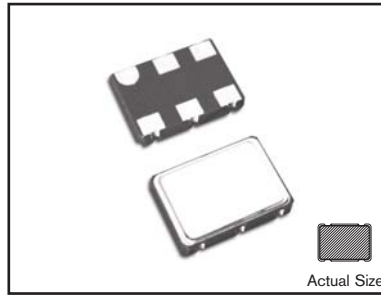


SERIES FMOCLVDSC2S

2.5 Vdc LVDS Clock Oscillators

CERAMIC SMD 5x7



- Drives Fast LVDS Logic
- 2.5 Vdc Supply Voltage
- Complementary Output, Low EMI
- Reflow Soldering Temp. +260°C

SPECIFICATIONS

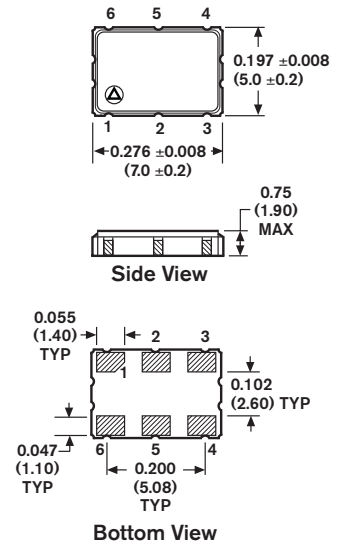
09- issue 3 - 020209



Parameter	Specification
Frequency Range*	80.00 to 250.000 MHz
Overall Frequency Tolerance	±50 ppm (Inclusive of Operating Temp., Supply Voltage, & Load)
Operating Temperature Range	0°C to +70°C, -40°C to +85°C Available
Storage Temperature	-55°C to +125°C
Supply Voltage (Vdd)	+2.5 Vdc ± 5%
Supply Current (Icc)	66 mA max.
Phase Jitter	1 pS RMS max. Condition: 12 kHz to 20 MHz Band
Symmetry (Duty Cycle)	40/60%
Rise and Fall Time	0.7 nsec max.
Output	LVDS
Output Load	100 ohms max. (Offset 1.25V Typical)
Output Signal	VOH: 1.43V Typical VOL: 1.10V Typical
Pin 1 Output Enable/Disable (note: do not connect to pin 1 if do not want this feature)	VIH: 0.7 Vcc min. (Output Enabled) VIL: 0.3 Vcc max. (Output: High Impedance) Enable Phase Delay Time 2ms max. Disable Phase Delay Time 200ns max.

All specifications subject to change without notice.
*Check with the factory for frequencies outside of this range.

CERAMIC SMD



STANDARD MARKING

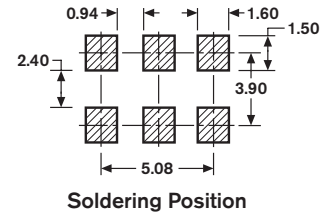


XX.XXM FREQUENCY in MHz
XXXXXX Part Number
ESD/Pin 1 Symbol, FMI, Date Code

PIN FUNCTION TABLE

Pin	Function
1*	Enable/Disable (Tri-State)
2	NC
3	Ground
4	Output
5	Diff. Output
6	Supply Voltage (Vcc)

*Do not connect to Pin 1 if (tri-state) enable/disable is not required.



Standard Specifications for product indicated in **color**

Dimensions: $\frac{\text{Inches}}{\text{(mm)}}$

PART DESCRIPTION SYSTEM

FMOCLVDSC2S 00 A T - XX.XXXXXXM - CM

