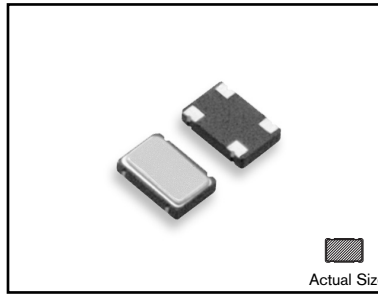


# FMXMC3S SERIES

Microprocessor Crystals

CERAMIC SMD 5x3.2



- Surface Mount Ceramic Pkg.
- Micro 5 x 3.2 / Ultra Thin
- High Reliability
- Tight Stability



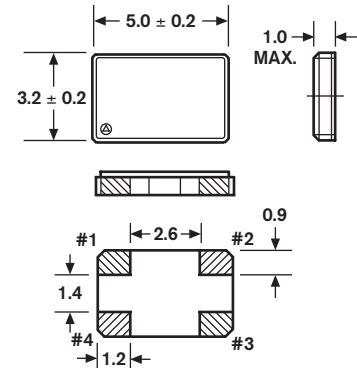
## SPECIFICATIONS

08 - Issue 3 - 041508

Parameter	Specification
Frequency Range	9.2 - 70 MHz
Operation Mode	See Operation Mode and ESR Table
Load Capacitance (CL)	18 pF Std., 8 - 60 pF and Series available
Frequency Tolerance	±30 ppm @ 25°C Std. (See Cal. Tol. for Options)
Temperature Tolerance	±50 ppm Std. (See Temp. Tol. for Options)
Operating Temperature	0 to +70°C Std. (See Temp. Range for Options)
Storage Temperature	-40 to +85°C
Equivalent Series Resistance (ESR)	See Operation Mode and ESR Table
Shunt Capacitance (C0)	5 pF max.
Drive Level	50 uW typical, 1 mW max.
Aging @ 25°C	±5 ppm per year max.

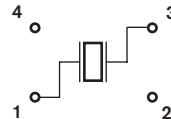
All specifications subject to change without notice.

### 5 x 3.2 CERAMIC SMD



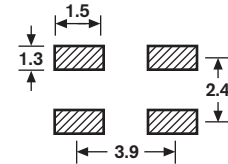
### OPERATION MODE AND ESR TABLE

Frequency (MHz)	Mode	Max. ESR (Ohms)
9.2 - 33.9	Fundamental	50
34.0 - 70.00	3rd Overtone	140

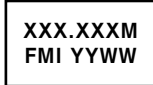


#2 / #4: connected to lid  
#1 / #3: connected to crystal

### Recommended Land Pattern



### STANDARD MARKING



XXX.XXXM FREQUENCY in MHz  
FMI, Date Code

### PIN FUNCTION TABLE

Pin	Function
1	Crystal
2	Ground
3	Crystal
4	Ground

NOTE: Standard Specifications for product indicated in **color**

Dimensions: millimeters

## PART DESCRIPTION SYSTEM

### FMXM C3S 1 18 H J A - XX.XXXXXXM - CM

