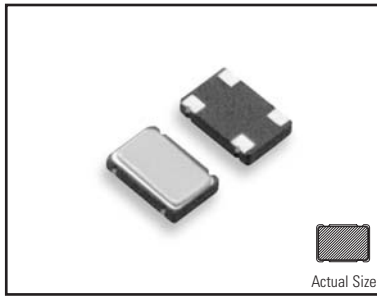


FMTC5S SERIES

5.0 Vdc TCXO

CERAMIC SMD 5x7



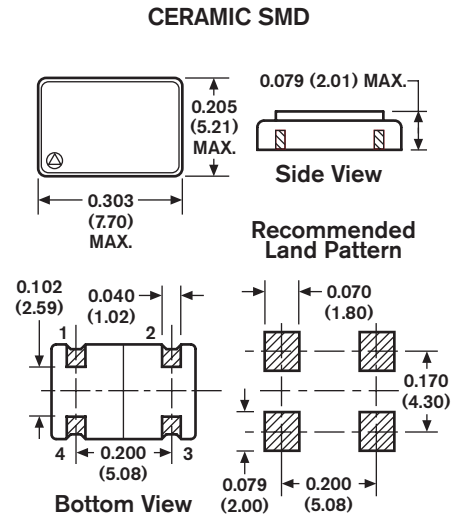
- Miniature, Low Profile
- 5.0 Vdc Supply Voltage
- HCMOS / TTL Compatible
- Clipped Sinewave

SPECIFICATIONS

05 | Issue 1 | 012005

Parameter	HCMOS/TTL Specification										
Frequency Range	2.0 - 29.0 MHz										
Frequency Adjustment Range	None (Std.); ± 3 ppm min. with MT Option										
Frequency Stability vs. Temp	See Table; Standard, -30°C to $+75^{\circ}\text{C}$										
Frequency Stability vs. Input V.	± 0.5 ppm max.										
Frequency Stability vs. Load	± 0.3 ppm max.										
Frequency Stability vs. Aging	± 1 ppm per year max.										
Storage Temperature	-40 to $+85^{\circ}\text{C}$										
Supply Voltage (Vdd)	$+5.0$ Vdc (± 0.25 Vdc)										
Supply Current (Icc)	20 mA max.										
Symmetry (Duty Cycle)	40/60% Std.										
Output "0" Level (VOL)	0.4 Vdc max. (TTL) 0.5 Vdc max. (HCMOS)										
Output "1" Level (VOH)	2.4 Vdc min. (TTL) 4.5 Vdc min. (HCMOS)										
Rise and Fall Time	10 ns max. (5ns typical)										
Output Load	10 TTL / 15 pF HCMOS										
Jitter (typical)	< 10 pico seconds, one sigma										
Phase Noise (typical)	<table border="1"> <tr> <td>10 Hz</td> <td>-75dBc/Hz</td> </tr> <tr> <td>100 Hz</td> <td>-110dBc/Hz</td> </tr> <tr> <td>1kHz</td> <td>-125dBc/Hz</td> </tr> <tr> <td>10kHz</td> <td>-130dBc/Hz</td> </tr> <tr> <td>100kHz</td> <td>-140dBc/Hz</td> </tr> </table>	10 Hz	-75dBc/Hz	100 Hz	-110dBc/Hz	1kHz	-125dBc/Hz	10kHz	-130dBc/Hz	100kHz	-140dBc/Hz
10 Hz	-75dBc/Hz										
100 Hz	-110dBc/Hz										
1kHz	-125dBc/Hz										
10kHz	-130dBc/Hz										
100kHz	-140dBc/Hz										
Aging @ 25°C	± 1 ppm max first year										

All specifications subject to change without notice.



FREQUENCY STABILITY vs. TEMPERATURE AVAILABILITY TABLE

Temp. Range	FM Code	Frequency Stability (\pm ppm)												
		1.5	2.0	2.5	3.0	3.5	4.0	4.5	5.0	10.0	15.0			
0 to 50°C	J	*	*	*	*	*	*	*	*	*	*	*	*	*
-10 to 60°C	E	*	*	*	*	*	*	*	*	*	*	*	*	*
0 to 70°C	A		*	*	*	*	*	*	*	*	*	*	*	*
-20 to 70°C	B			*	*	*	*	*	*	*	*	*	*	*
-30 to 60°C	F				*	*	*	*	*	*	*	*	*	*
-30 to 75°C	S					*	*	*	*	*	*	*	*	*
-40 to 85°C	C						*	*	*	*	*	*	*	*

* Denotes Availability

PIN FUNCTION TABLE

Pin	Function
1	No Connect
2	Case Ground
3	Output
4	Supply Voltage (Vdd)

NOTE: Waveforms & Test Circuits on pages 48, 49

Standard Specifications for product indicated in **color**

Dimensions: $\frac{\text{Inches}}{\text{(mm)}}$

PART NUMBERING SYSTEM

MARKING: See Page 57, Format M

