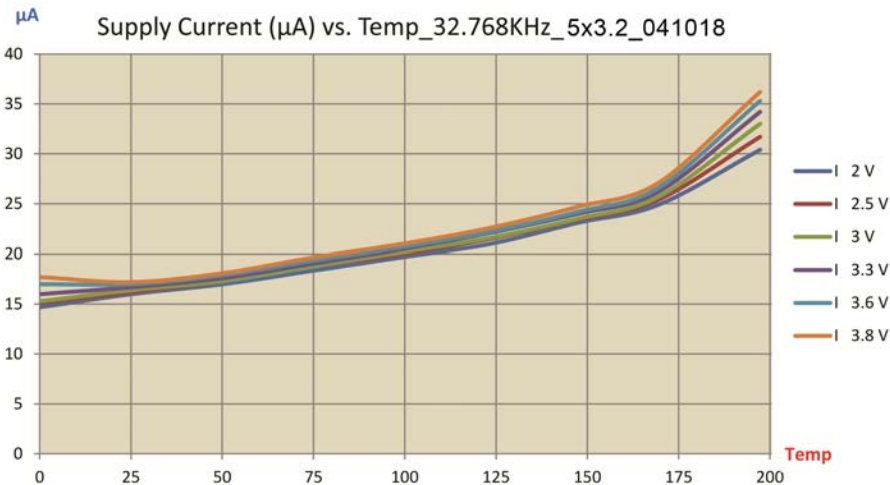


model HLP5326

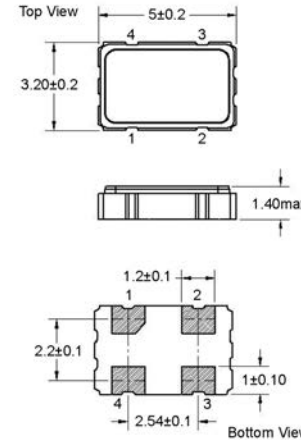
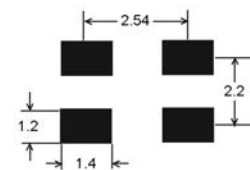
Actual Size


High Temperature, Low-power 5x3.2 mm SMD Crystal OSCILLATOR

ELECTRICAL SPECIFICATIONS	PARAMETER
OUTPUT FREQUENCY	32.768 KHz
SUPPLY VOLTAGE RANGE	1.8 TO 3.8 V
OPERATING TEMPERATURE RANGE	-55°C to +200°C
FREQUENCY STABILITY OVER TEMPERATURE	±175 ppm, -40°C to +200°C
OUTPUT LOGIC	CMOS, 15 pF load
SUPPLY CURRENT (3.3V & at +25°C)	18 µA (<10 µA in disabled mode)
SUPPLY CURRENT (3.3V & at +200°C)	31 µA (<10 µA in disabled mode)
OSCILLATOR ENABLE	Open or Logic "1"
STORAGE TEMPERATURE	+225°C
OPERATIONAL LIFE	1000 Hours at +200°C min

Lower Current Options Available—Please Inquire

High Temperature — Oscillator Specification
Low Power, SMD 5x3.2 mm, 32.768 KHz Clock
MECHANICAL SPECIFICATIONS

Dimensions: mm Issue


Recommended Land Pattern

 Package type: 5x3.2 mm
 Ceramic SMD Package
 with 4 Gold Plated Pads
 Pb-free / RoHS Compliant

MARKING

Line 1	FMI, Part Number
Line 2	Date Code & S/N
Line 3	Pin 1 ID, ESD ID

PAD CONFIGURATION

Pad 1	Output Enable
Pad 2	Ground
Pad 3	Output
Pad 4	Supply V (Vcc)

