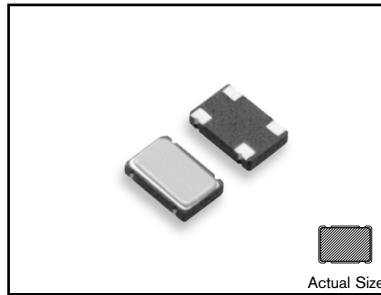


# FMTC3S3 SERIES

2.5V to 3.3V - TCXO

## CERAMIC SMD 5x3.2



- Miniature
- Low Profile
- Tight Stability,  $\pm 2.5$ ppm
- Clipped Sine Wave
- Low Current Consumption



### SPECIFICATIONS

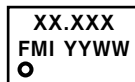
Issue 4 - 06262012

Parameter	Specification
Frequency Range	10 MHz - 40 MHz
Frequency Stability vs. Temperature	$\pm 2.5$ ppm; Standard, $-30^{\circ}\text{C}$ to $+75^{\circ}\text{C}$
Frequency vs. Input Voltage Variation	$\pm 0.3$ ppm / $+3.0\text{V} \pm 0.3\text{V}$
Aging @ $25^{\circ}\text{C}$	$\pm 1$ ppm max first year
Storage Temperature	$-55^{\circ}\text{C}$ to $+125^{\circ}\text{C}$
Supply Voltage	$+3.3$ Vdc standard; also: $+2.5\text{V}$ , $+2.8\text{V}$ , $+3.0\text{V} \pm 5\%$
Supply Current	2 mA max.
Symmetry (Duty Cycle)	40/60% at $1/2$ Vdd Std.
Output Level	0.8Vp-p min, Clipped Sine Wave
Output Load	10K $\Omega$ /10pF
Phase Noise	-135 dBc typical at 1 kHz offset

All specifications subject to change without notice.

**STANDARD APPLICATIONS:**  
Cellular and network Equipment

#### STANDARD MARKING

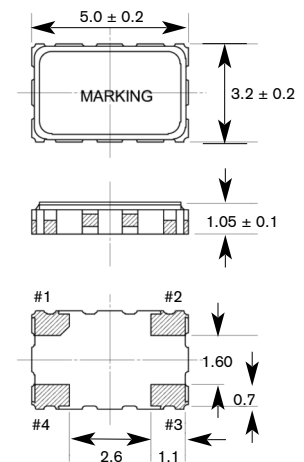


XX.XXX FREQUENCY in MHz

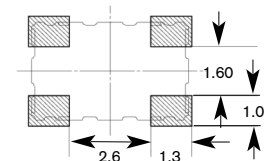
#### PIN FUNCTION TABLE

Pin	Function
1	No Connect
2	Case Ground
3	Output
4	Supply Voltage (Vdd)

#### CERAMIC SMD



#### Recommended Land Pattern



Standard Specifications for product indicated in color

Dimensions: millimeters

### PART DESCRIPTION SYSTEM

FMTC **33** **S3** **025** **S** - **XX.XXXXXXM** - **TR**

Product Family	
TCXO Ceramic SMD	
<b>33</b>	- $+3.3$ Vdc
Options:	
25	- $+2.5$ Vdc
28	- $+2.8$ Vdc
30	- $+3.0$ Vdc

Frequency Stability	
Choose FM Code from Frequency Stability Table (Code 050=5.0 ppm)	

Temp. Range	
A	0 to $70^{\circ}\text{C}$
B	$-20$ to $70^{\circ}\text{C}$
C	$-40$ to $85^{\circ}\text{C}$
E	$-10$ to $60^{\circ}\text{C}$
F	$-30$ to $60^{\circ}\text{C}$
J	0 to $50^{\circ}\text{C}$
<b>S</b>	<b><math>-30</math> to <math>75^{\circ}\text{C}</math></b>
X	Custom

Frequency (MHz)

Options	
TR	Tape and Reel
PD	Parameter Data
CM	Custom Mark
BLANK	None Req'd.