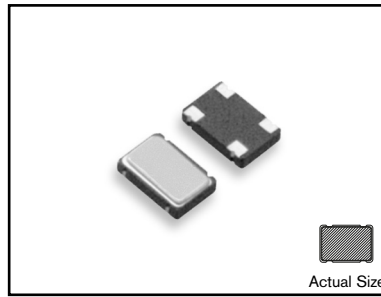


FMVTC5S3 SERIES

5.0 Vdc VCTCXO

CERAMIC SMD 5x3.2



- Miniature, Low Profile
- 5.0 Vdc Supply Voltage
- HCMOS / TTL Compatible
- Clipped Sinewave

SPECIFICATIONS

09 - Issue 2 - 020309

Parameter	HCMOS/TTL Specification										
Frequency Range	10 - 26.0 MHz										
Frequency Adjustment Range	None (Std.); ±3 ppm min. with MT Option										
Frequency Stability vs. Temp	See Table; Standard, -30°C to +75°C										
Frequency Stability vs. Input V.	±0.5 ppm max.										
Frequency Stability vs. Load	±0.3 ppm max.										
Frequency Stability vs. Aging	±1 ppm per year max.										
Storage Temperature	-40 to +85°C										
Supply Voltage (Vdd)	+5.0 Vdc (±0.25 Vdc)										
Supply Current (Icc)	20 mA max.										
Symmetry (Duty Cycle)	40/60% Std.										
Output "0" Level (VOL)	0.4 Vdc max. (TTL) 0.5 Vdc max. (HCMOS)										
Output "1" Level (VOH)	2.4 Vdc min. (TTL) 4.5 Vdc min. (HCMOS)										
Rise and Fall Time	10 ns max. (5ns typical)										
Output Load	10 TTL / 15 pF HCMOS										
Jitter (typical)	< 10 pico seconds, one sigma										
Phase Noise (typical)	<table border="1"> <tr> <td>10 Hz</td> <td>-75dBc/Hz</td> </tr> <tr> <td>100 Hz</td> <td>-110dBc/Hz</td> </tr> <tr> <td>1kHz</td> <td>-125dBc/Hz</td> </tr> <tr> <td>10kHz</td> <td>-130dBc/Hz</td> </tr> <tr> <td>100kHz</td> <td>-140dBc/Hz</td> </tr> </table>	10 Hz	-75dBc/Hz	100 Hz	-110dBc/Hz	1kHz	-125dBc/Hz	10kHz	-130dBc/Hz	100kHz	-140dBc/Hz
10 Hz	-75dBc/Hz										
100 Hz	-110dBc/Hz										
1kHz	-125dBc/Hz										
10kHz	-130dBc/Hz										
100kHz	-140dBc/Hz										
Aging @ 25°C	±1 ppm max first year										

All specifications subject to change without notice.

FREQUENCY STABILITY vs. TEMPERATURE AVAILABILITY TABLE

Temp. Range	FM Code	Frequency Stability (□ppm)												
		1.5	2.0	2.5	3.0	3.5	4.0	4.5	5.0	10.0	15.0			
0 to 50°C	J	*	*	*	*	*	*	*	*	*	*	*	*	*
-10 to 60°C	E	*	*	*	*	*	*	*	*	*	*	*	*	*
0 to 70°C	A		*	*	*	*	*	*	*	*	*	*	*	*
-20 to 70°C	B			*	*	*	*	*	*	*	*	*	*	*
-30 to 60°C	F				*	*	*	*	*	*	*	*	*	*
-40 to 85°C	C					*	*	*	*	*	*	*	*	*

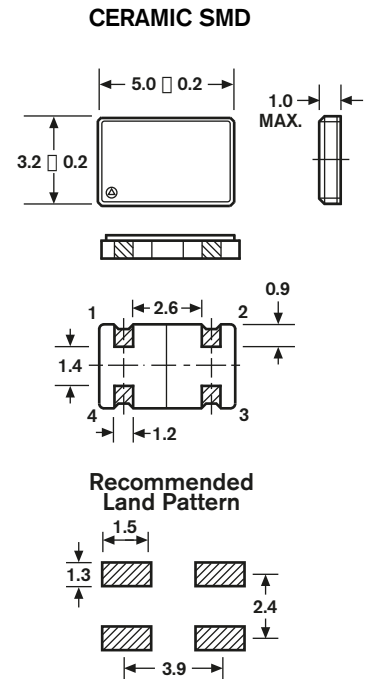
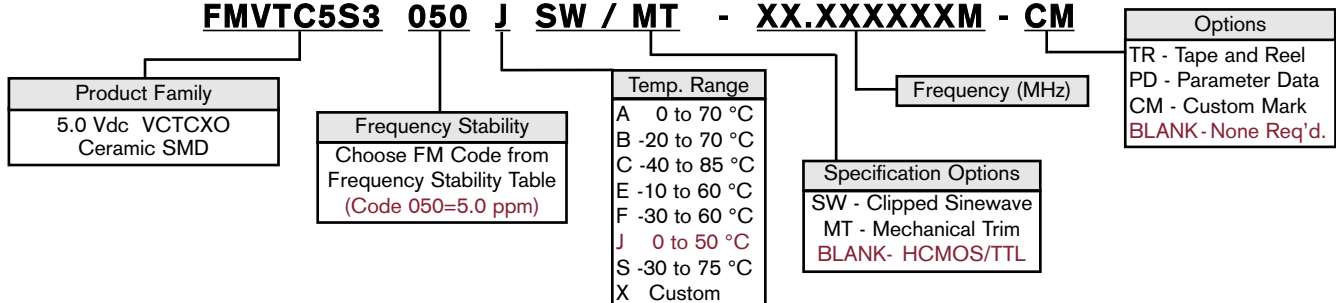
* Denotes Availability

Standard Specifications for product indicated in color

Dimensions: millimeters

PART DESCRIPTION SYSTEM

FMVTC5S3 050 J SW / MT - XX.XXXXXXM - CM



STANDARD MARKING

FMI XX.XXX

XX.XXX FREQUENCY in MHz

PIN FUNCTION TABLE

Pin	Function
1	No Connect
2	Case Ground
3	Output
4	Supply Voltage (Vdd)